

STARDUSTER M-400

26.5.....30 MHz Tunable Base Station Antenna

SPECIFICATIONS

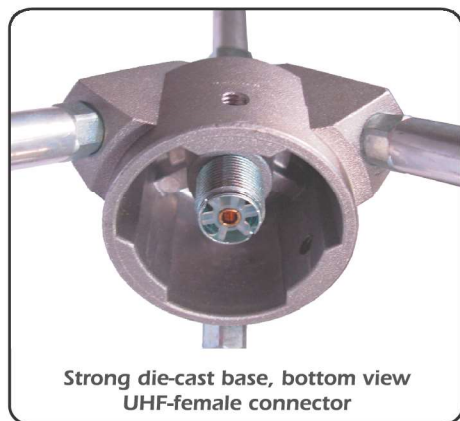
TECHNICAL DATA

Electrical Data

Type	: 1/4 λ Ground Plane
Frequency range	: 26.5...30 MHz tunable by diagram
Impedance	: 50 Ω
Radiation (H-plane)	: 360° omnidirectional
Polarization	: Vertical
Bandwidth @ SWR ≤ 2	: ≥ 2000 KHz @ 26.5 MHz
SWR @ res. freq.	: ≤ 1.5
Max Power	: 1000 Watts (CW) continuous 3000 Watts (CW) short time
Connector	: UHF-female

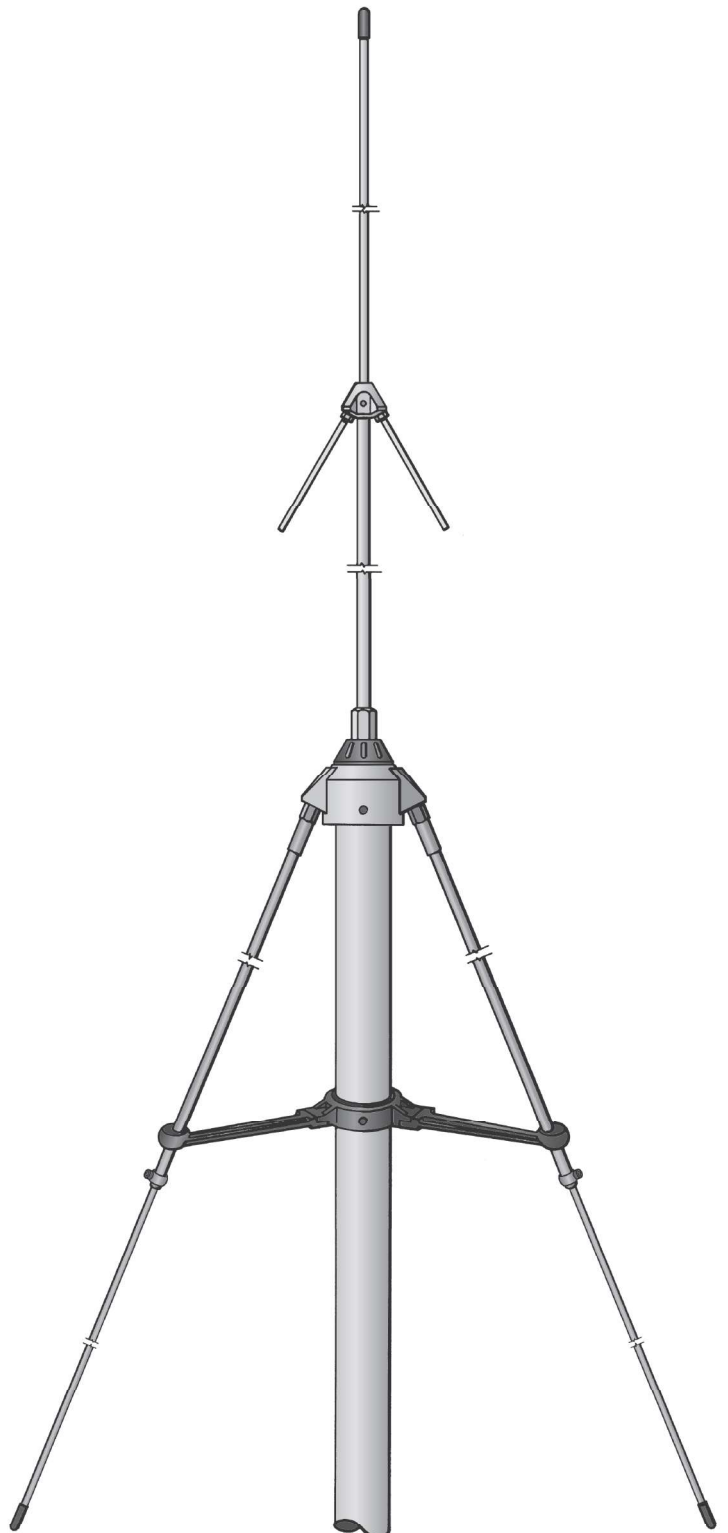
Mechanical Data

Materials	: Aluminium, Chromed Brass, Nylon
Wind resistance	: 130 Km/h
Length (approx.)	: 5040 mm
Weight (approx.)	: 1230 gr
Radial length (approx.)	: 2690 mm
Mounting Mast	: \varnothing 35-40 mm



WARNING

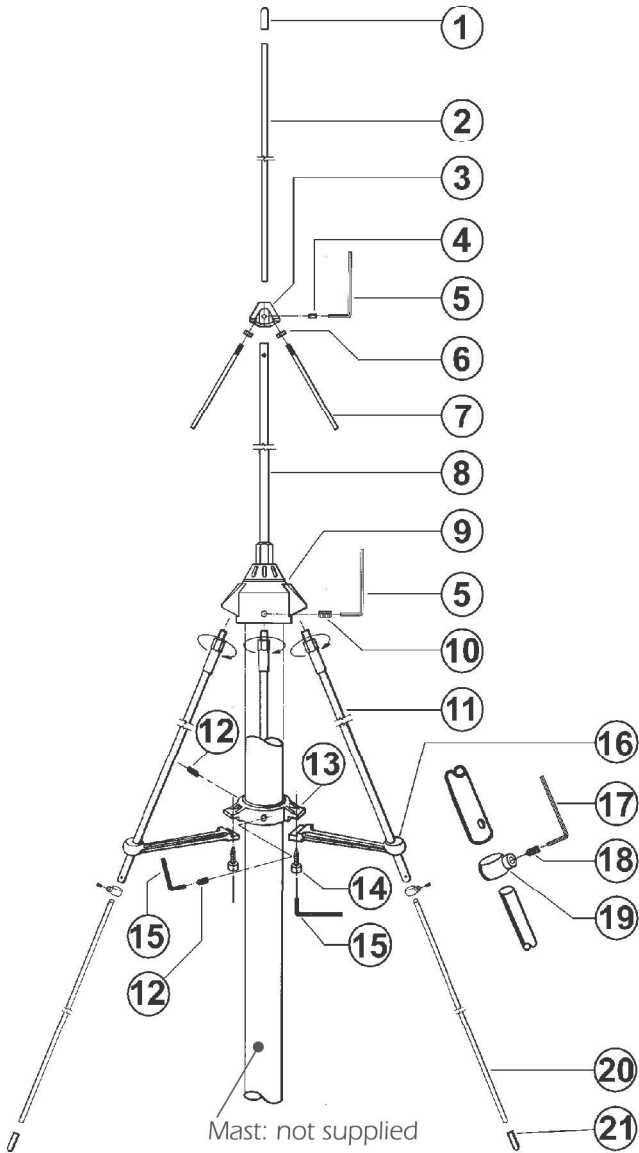
INSTALLATION OF THIS PRODUCT NEAR POWER LINES IS DANGEROUS. FOR YOUR SAFETY AND BEFORE YOU BEGIN INSTALLATION, READ THE SEPARATE SAFETY INFORMATION SHEET.



SIRIO
antenne

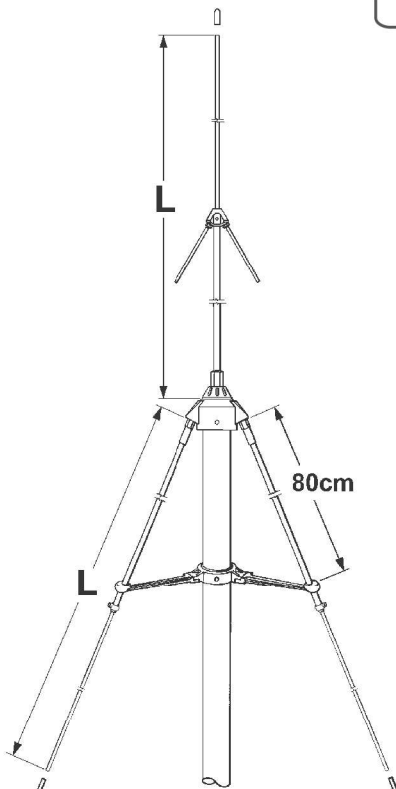
HI-QUALITY ANTENNAS MADE IN ITALY

MOUNTING INSTRUCTIONS

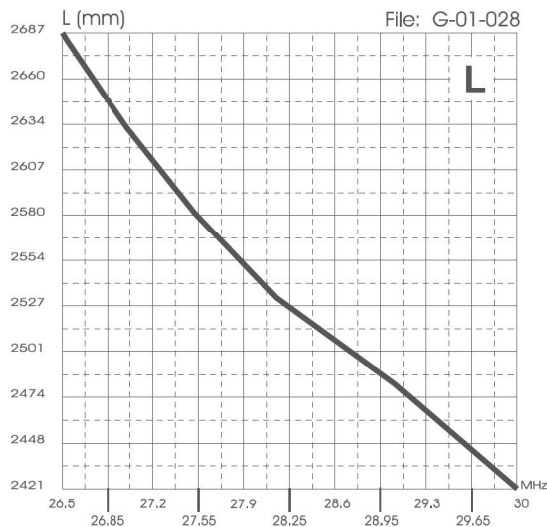


Part List		
Pos	Q.ty	Description
1	1	Ø 8mm plastic cap
2	1	Ø 6x8x1400mm alu. tube
3	1	Central whip joint
4	1	M6x8 hexagonal socket set screw cone point
5	1	3mm hexagonal key
6	3	M5 hexagonal nuts
7	3	Ø 5x150mm short radials
8	1	Ø 8.5x11x1400mm alu. tube with joint
9	1	STARDUSTER M-400 base with connector
10	2	M6x12 hexagonal socket set screws cup point
11	3	Ø 6x8x1400mm alu. tubes with joint
12	2	M8x14 hexagonal socket set screws cup point
13	1	Plastic fixing ring
14	3	Ø 4.8x19 hexagon socket tapping screws
15	1	4mm hexagonal key
16	3	Plastic arms
17	1	2mm hexagonal key
18	3	M4x6 hexagonal socket set screws cone point
19	3	Radials fixing rings
20	3	Ø 5x1400mm alu. bars
21	3	Ø 5mm plastic caps

TUNING INSTRUCTIONS



TYPICAL TUNING DIAGRAM vs FREQUENCY



NOTE:

- Use the curves just as a guide. For fine-tuning please use an SWR-Meter.